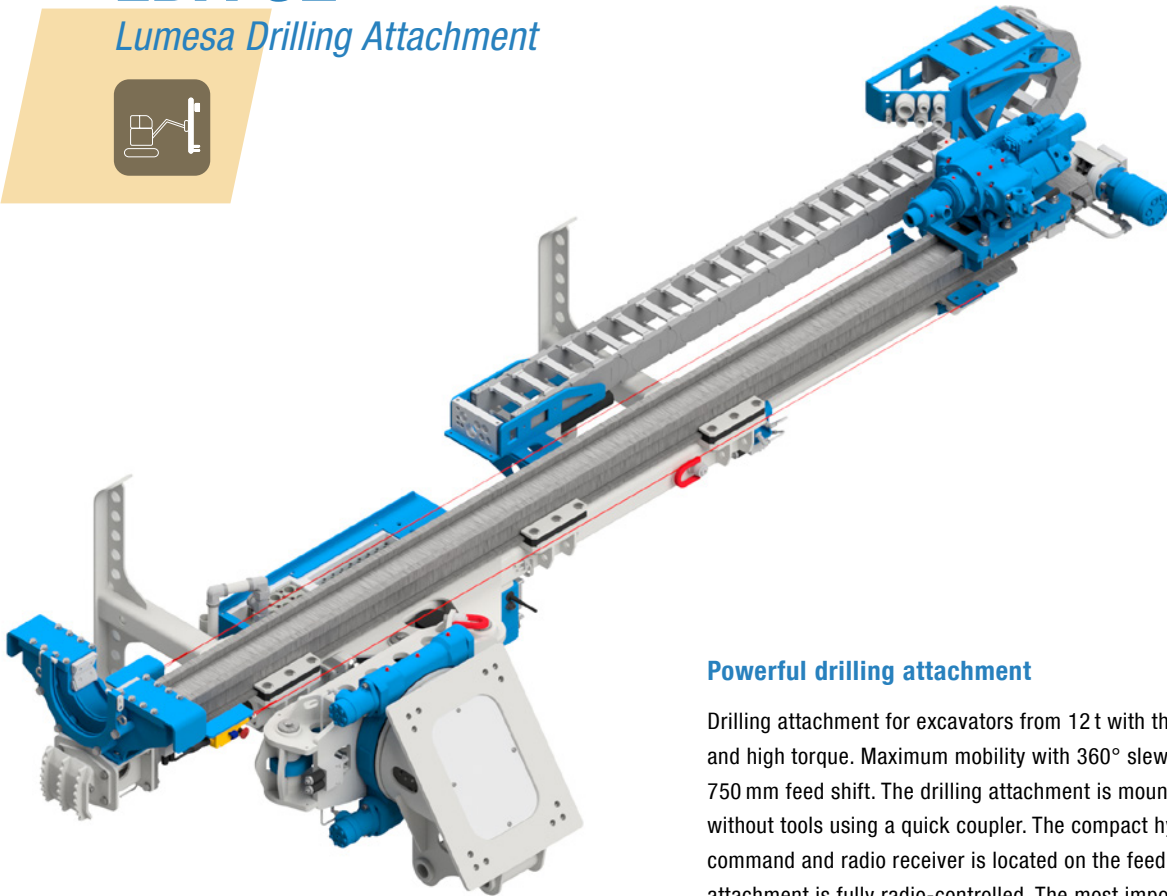


LDA 92

Lumesa Drilling Attachment



INOX

Powerful drilling attachment

Drilling attachment for excavators from 12 t with the latest technology and high torque. Maximum mobility with 360° slew, 0–90° tilt and 750 mm feed shift. The drilling attachment is mounted to the excavator without tools using a quick coupler. The compact hydraulic box for valve command and radio receiver is located on the feed holder. The drilling attachment is fully radio-controlled. The most important drilling parameters are shown on a digital display on the radio remote control. An optional powerbox supplies the required control voltage directly to the drilling attachment, no supply via the excavator is required.

Optionally, a walking foot can be mounted for use on a walking excavator (spider excavator). An optional breaking device also enables cased drilling. Conversion to LDA 92P is possible at any time.

Best suited for:

- Self-drilling anchors (*KSB*® R 32, R 38, R 51, T 76) up to max D 100 mm drill holes.
- Blast hole rock drilling
- Cased drilling
- Working on the walking excavator



Technical specifications

INOX

LDA 92



Specifications

Operating weight excavator t		> 12
Weight ¹	kg	1'375 / 1'500
Oil requirement	l/min / bar	120 / 230
Feed/Pullback force	kN	40
Torque max.	daNm	212
Feed stroke	mm	3'540
Dimensions (LxBxH)	mm	4'675 / 990 / 1'700
Drill feed profile	BL	92
Slew	Degree	360
Tilt	Degree	0–90
Clamping device	mm	30–180
Top hammer	daNm	106 / 212
Rotary head	daNm	on request
Double head	daNm	

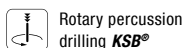
Deliverable with

Hydraulic control panel	
Radio remote control	
Radio remote control with display	inclusive
Anti-jamming automatic	inclusive
Adjustable percussion mechanism	inclusive
Thread synchronization	on request
Tilt 0–90°	inclusive
Breaking device	optional
Drill guide	optional
Powerbox (control voltage)	optional
Lubrication pump drill drive	optional
Rotary union	on request
Walking foot with swamp plate	optional
Dust collector	on request
Rod handler	on request
Cable winch	optional

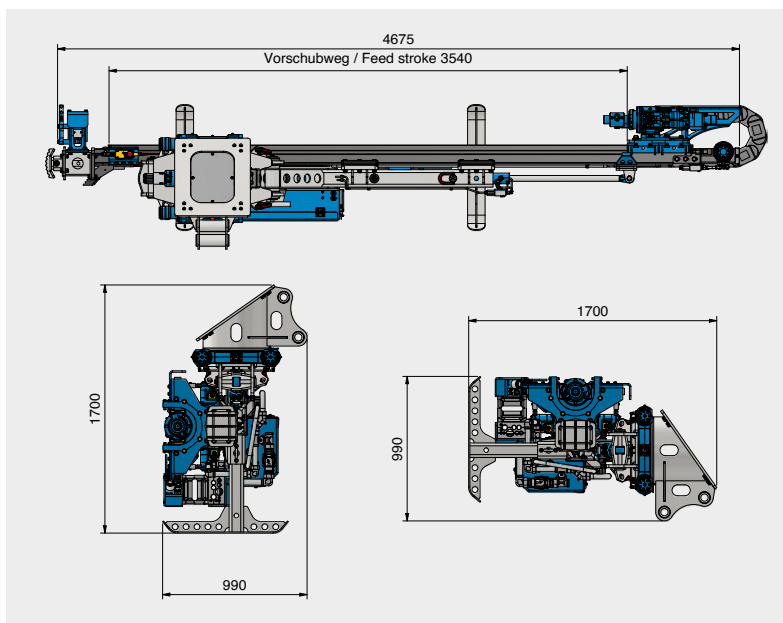
Drilling methods

	Application ideal	Application conditionally possible				
Blast hole / Rock drilling	ø mm	33	45	57	76	89
KSB® Anchor drilling	ø anchor	R32	R38	R51	T76	T114
Rotary-/Down-the-hole (DTH) drilling	ø mm	70	90	140	178	250
Cased drilling	ø mm	114	133	152	178	219
Core drilling	ø mm					
Injection port	inch			1"		

1. Without safety device according to standard EN16228

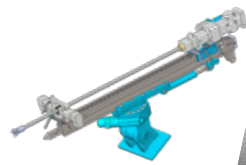


System drawing



LDA Excavator mounted drill feeds

Overview



INOX

LDA 91 MOUNTY®



INOX

LDA 91



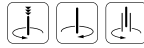
COMING SOON

NEW

INOX

LDA Flexi

Specifications



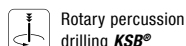
Operating weight excavator t		> 6	> 8	> 12
Weight ¹	kg	550	770 / 1'150	1'000 / 1'150
Oil requirement	l/min / bar	60 / 200	120 / 230	120 / 230
Feed/Pullback force	kN	20 / 40	20	20
Torque max.	daNm	500	212	212
Feed stroke	mm	on request	3'300	2'800 + 500
Dimensions (LxBxH)	mm	on request	4'350 / 850 / 780	3'850 (4'350) / 1'050 / 1'700
Drill feed profile	BL	91 / 92	91	92
Slew	Degree	360	360	360
Tilt	Degree	±90	0 – 90	0 – 90
Clamping device		25 – 146	25 – 146	30 – 180
Top hammer	daNm	150	106 / 212	106 / 212
Rotary head	daNm	on request	on request	on request
Double head	daNm			

Deliverable with

Hydraulic control panel		inclusive		
Radio remote control		optional	inclusive	
Radio remote control with display		optional	optional	inclusive
Anti-jamming automatic		optional	inclusive	inclusive
Adjustable percussion mechanism		inclusive	inclusive	inclusive
Thread synchronization		optional	on request	on request
Tilt 0 – 90°			optional	inclusive
Breaking device			on request	optional
Drill guide		optional	optional	optional
Powerbox (control voltage)		optional	optional	optional
Lubrication pump drill drive		optional	optional	optional
Rotary union			on request	on request
Walking foot with swamp plate		optional	optional	optional
Dust collector		optional	on request	on request
Rod handler			on request	
Cable winch			on request	

Blast hole / Rock drilling	ø mm	33	45	57	76	89	33	45	57	76	89	33	45	57	76	89
KSB® Anchor drilling	ø anchor	R32	R38	R51	T76	T114	R32	R38	R51	T76	T114	R32	R38	R51	T76	T114
Rotary-/Down-the-hole (DTH) drilling	ø mm	70	90	140	178	250	70	90	140	178	250	70	90	140	178	250
Cased drilling	ø mm	114	139	168	178	219	114	139	168	178	219	114	139	168	178	219
Core drilling	ø mm	100	131	146	200	254										
Injection port	inch			3/8"						1"						1"

1. Without safety device according to standard EN16228



Rotary percussion drilling **KSB®**



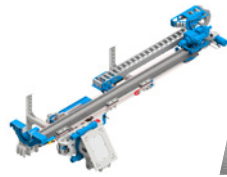
Rotating unpiped



Rotating piped



Rotary impact with damping system



INOX

LDA 92



INOX

LDA 92P

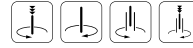


NEW

INOX

LDA 92P DH

Specifications



Operating weight excavator t		> 12	> 16	> 18
Weight ¹	kg	1'375 / 1'500	1'550 / 1'750	1'850 / 2'050
Oil requirement	l/min / bar	120 / 230	165 / 230	170 / 230
Feed/Pullback force	kN	40	40	40
Torque max.	daNm	212	500	500
Feed stroke	mm	3'540	3'540	3'540
Dimensions (LxBxH)	mm	4'675 / 990 / 1'700	4'900 / 1'050 / 1'700	4'900 / 1'050 / 1'700
Drill feed profile	BL	92	92	92
Slew	Degree	360	360	360
Tilt	Degree	0 – 90	0 – 90	0 – 90
Clamping device		30 – 180	30 – 180	30 – 180
Top hammer	daNm	106 / 212	250 / 500	
Rotary head	daNm	on request	on request	
Double head	daNm			500 / 250

Deliverable with

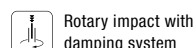
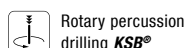
Hydraulic control panel

Radio remote control

Radio remote control with display		inclusive	inclusive	inclusive
Anti-jamming automatic		inclusive	inclusive	inclusive
Adjustable percussion mechanism		inclusive	inclusive	
Thread synchronization		on request	on request	on request
Tilt 0 – 90°		inclusive	inclusive	inclusive
Breaking device		optional	optional	inclusive
Drill guide		optional	optional	optional
Powerbox (control voltage)		optional	optional	optional
Lubrication pump drill drive		optional	optional	optional
Rotary union		on request	on request	on request
Walking foot with swamp plate		optional	optional	optional
Dust collector		on request	on request	
Rod handler		on request	on request	
Cable winch		optional	optional	optional

Blast hole / Rock drilling	ø mm	33	45	57	76	89	33	45	57	76	89
KSB® Anchor drilling	ø anchor	R32	R38	R51	T76	T114	R32	R38	R51	T76	T114
Rotary-/Down-the-hole (DTH) drilling	ø mm	70	90	140	178	250	70	90	140	178	250
Cased drilling	ø mm	114	133	152	178	219	114	133	152	178	219
Core drilling	ø mm										
Injection port	inch	1"			1"			1"			

1. Without safety device according to standard EN16228

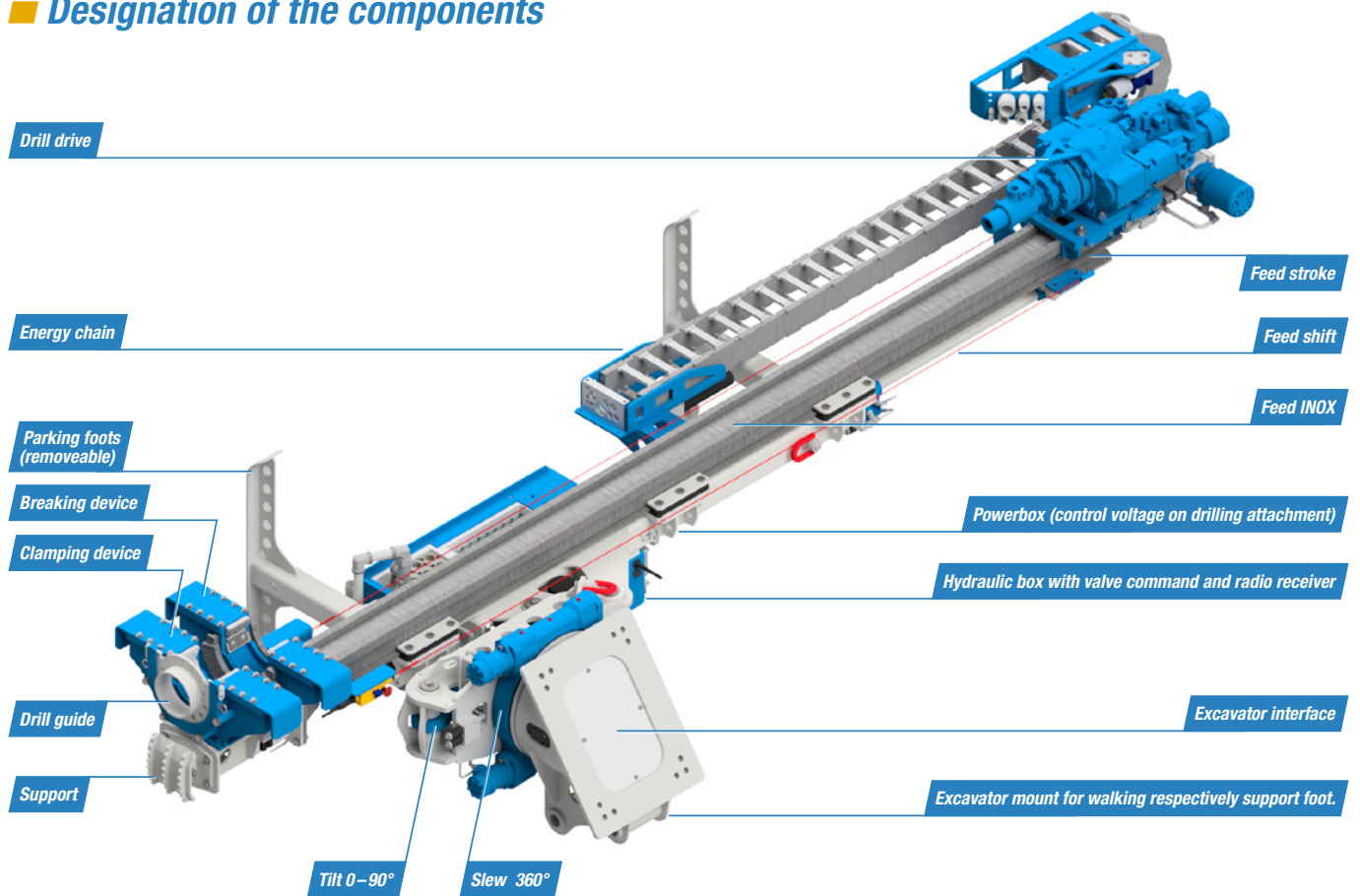


LDA Excavator mounted drill feeds

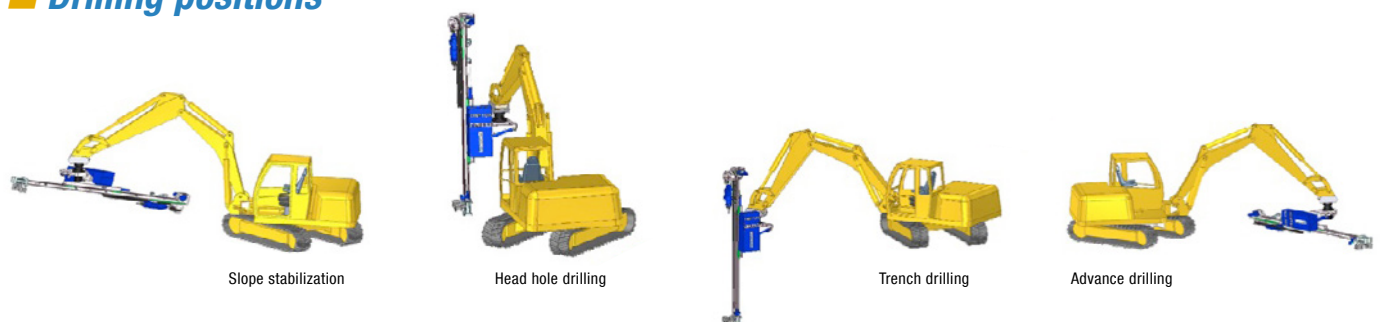
Lumesa Drilling Attachment

Based on the standard system, **Lumesa** manufactures customized drilling attachments for every application. Using a checklist, precise customer briefing and professional advice, an exact requirement profile is created, which serves as the basis for the construction of the drilling attachment. The high level of flexibility enables efficient, individual system solutions for the respective needs and requirements on the construction site. No change in the excavator hydraulics is necessary. All drilling attachments are designed for operation with guards in accordance with DIN EN 16228-1.

■ Designation of the components



■ Drilling positions



Accessories

Powerbox (control voltage)



Cable winch mounted to the underside of the drill feed



Dust collector



Walking foot easy to remove

