

Mounty® 90 L

Portable Drill Feeds



INOX

Lightweight, portable drill feed, fully pneumatic, ideal for all handy drilling operations; can be used with down-the-hole hammer as well as with drill hammer. Uncoiled for easy mounting on any type of scaffolding; suitable for wall work.

- Drill feed, fixing plate for scaffolding tubes, combination guide retraction force 7 kN / 6 bar.
- Rotary head 900 Nm / 6 bar
- Control panel with oiler and hoses
- Rack back stay support 2.2 – 3.6 m

Mounty® 90 L package

- Mounty® 90 L, feed length 1.30, 1.80 or 2.3 m
- Rotary head NLL
- Control panel SLL
- Rack back stay



Technical specifications

Mounty® 90 L

Specifications



Operating weight excavator t

Weight ¹	kg	> 45
Oil requirement	l/min / bar	
Feed/Pullback force	kN	9
Torque max.	daNm	90
Feed stroke	mm	1'300 / 1'800 / 2'300
Dimensions (LxBxH)	mm	2'160 / 580 / 650
Drill feed profile	BL	90
Fixing plate for scaffolding tube		inclusive
Rotary plate for scaffolding tube		inclusive
Clamping device	mm	
Top hammer	daNm	35
Rotary head	daNm	90
Double head	daNm	

Deliverable with

Hydraulic control panel	inclusive
Radio or cable remote control	optional
Radio remote control with display	
Anti-jamming automatic	
Adjustable percussion mechanism	
Injection pump control	optional
Thread synchronization	
Slew 90° (mechanical)	optional
Breaking device	optional
Drill guide	inclusive
Rack back stay	inclusive

Requirements hydraulic power units

Weight	kg
Engine power	kW
Fuel	
Hose length	m

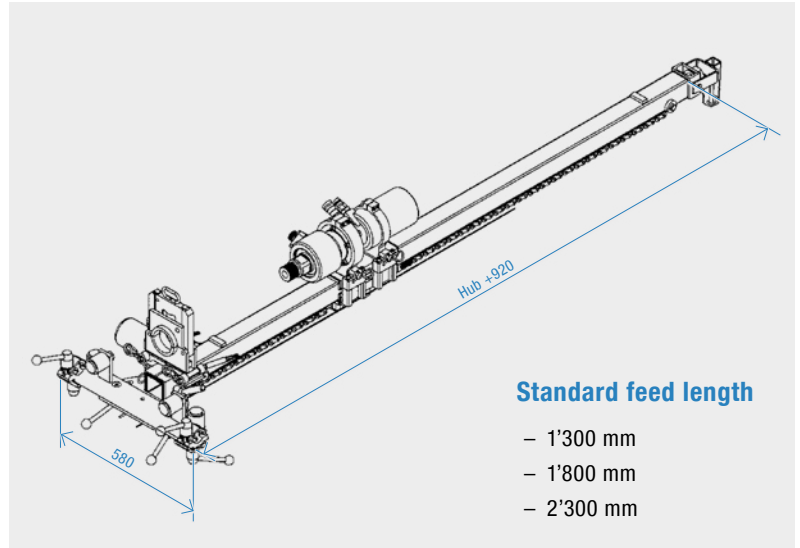
Drilling methods

	Application ideal	Application conditionally possible				
Blast hole / Rock drilling	ø mm	33	45	57	76	89
KSB® Anchor drilling	ø anchor	R32	R38	R51	T76	T114
Rotary-/Down-the-hole (DTH) drilling	ø mm	70	90	140	178	250
Cased drilling	ø mm	114	139	168	178	219
Core drilling	ø mm	100	131	146	200	254
Injection port	inch	3/8"				

1. Without safety device according to standard EN16228



System drawing



Portable Drill Feeds

Overview



INOX



INOX



INOX



INOX

Mounty® 90 L

Mounty® 90 H

Mounty® 91 H

Mounty® 92 H

Specifications



Operating weight excavator t			> 2	> 3	
Weight ¹	kg	> 45	> 50	> 110	> 140
Oil requirement	l/min / bar		55 / 200	60 / 200	100 / 200
Feed/Pullback force	kN	9	12	20	40
Torque max.	daNm	90	140	180	500
Feed stroke	mm	1'300 / 1'800 / 2'300	1'300 / 1'800 / 2'300	1'300 / 1'800 / 2'300	1'300 / 1'800 / 2'300
Dimensions (LxBxH)	mm	2'160 / 580 / 650	2'160 / 580 / 500	2'220 / 580 / 500	2'315 / 584 / 600
Drill feed profile	BL	90	90	91	92
Fixing plate for scaffolding tube		inclusive	inclusive	inclusive	inclusive
Rotary plate for scaffolding tube		inclusive	inclusive	inclusive	inclusive
Clamping device	mm		25 – 146	25 – 146	25 – 181
Top hammer	daNm	35	103	103 / 150	150
Rotary head	daNm	90	140	180	800
Double head	daNm				

Deliverable with

Hydraulic control panel		inclusive	inclusive	inclusive	inclusive
Radio or cable remote control		optional	optional	optional	optional
Radio remote control with display					
Anti-jamming automatic					
Adjustable percussive mechanism					
Injection pump control		optional	optional	optional	optional
Thread synchronization					
Slew 90° (mechanical)		optional	optional	optional	optional
Breaking device		optional	optional	optional	optional
Drill guide		inclusive	inclusive	inclusive	inclusive
Rack back stay		inclusive	inclusive	inclusive	inclusive

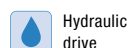
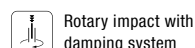
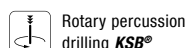
Requirements hydraulic power units

Weight	kg		390 / 700	390 / 700	>510
Engine power			18 / 43	18 / 43	(18) / 43
Fuel					
Hose length	m		20 + 7	20 + 7	20 + 7

Drilling methods Application ideal Application conditionally possible

Blast hole / Rock drilling	ø mm	33	45	57	76	89	33	45	57	76	89	33	45	57	76	89	33	45	57	76	89
KSB® Anchor drilling	ø anchor	R32	R38	R51	T76	T114	R32	R38	R51	T76	T114	R32	R38	R51	T76	T114	R32	R38	R51	T76	T114
Rotary-Down-the-hole (DTH) drilling	ø mm	70	90	140	178	250	70	90	140	178	250	70	90	140	178	250	70	90	140	178	250
Cased drilling	ø mm	114	139	168	178	219	114	139	168	178	219	114	139	168	178	219	114	139	168	178	219
Core drilling	ø mm	100	131	146	200	254	100	131	146	200	254	100	131	146	200	254	100	131	146	200	254
Injection port	inch		3/8"				3/8"					3/8"					3/8"				

1. Without safety device according to standard EN16228



Mounty® Portable Drill Feeds

Safety in the mountains



The problem of installing protection devices was presented to **Lumesa SA**. Previously, these structures were carried out with tracked machines. As these were not always sufficient, a portable machine was designed.

Several elements were available to be assembled into a model system for machines of 3 sizes. These components ranged from 40 kg to 50 kg for lighter machines (torque 1'400 Nm) and from 80 kg to 120 kg for heavy machines (torque 5'000 Nm).

Not to forget the tools, drilling and lining tubes, which can easily weigh one tonne! This construction requires that rods, hammers and tubes are perfectly matched to the drill.

The drilling process is different compared to tracked machines. Therefore, we offer advice, the necessary tools and equipment for each application.

